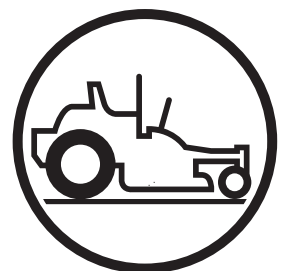


Parts manual
EZ4216HO/968999290, EZ4217KAA/968999291,
EZ4217KAA/968999373, EZ4822BI/968999293,
EZ4822BI/968999374, EZ5221KAA/968999292,
EZ5424BI/968999294

Please read the operator's manual carefully and make
sure you understand the instructions before using the



English

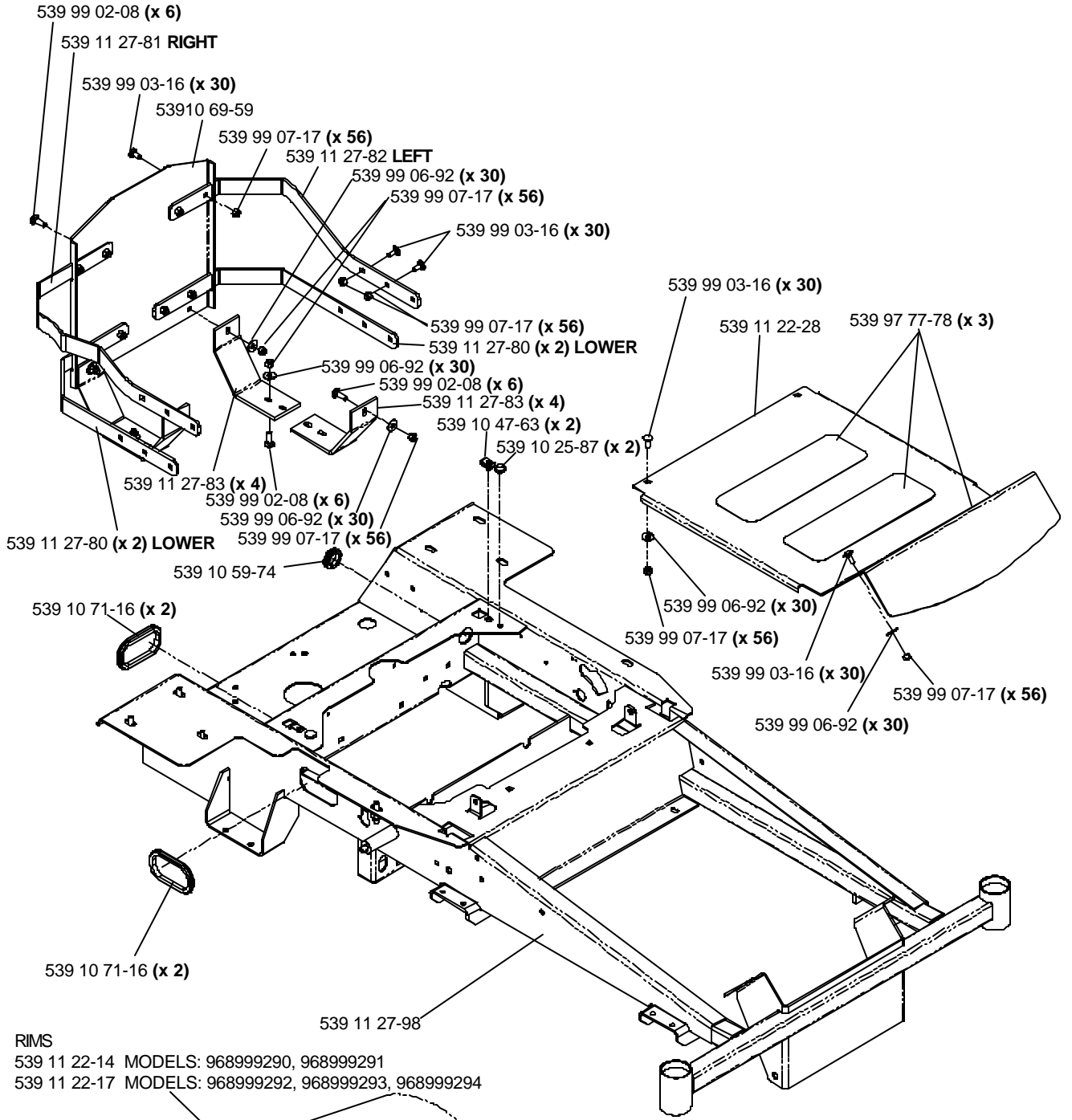
CONTENTS

**SECTION
PAGE**

MAIN FRAME	4-5
DECK LIFT	6
CONTROL LEVERS	7
PARK BRAKE	8
CASTER ASSEMBLY	9
SEAT ASSEMBLY	10
CONSOLE ASSEMBLY	11
BRIGGS & STRATTON ENGINE ASSEMBLY, MODELS: 968999293, 968999294	12
KAWASAKI ENGINE ASSEMBLY, MODELS: 968999291, 968999292	13
HONDA ENGINE ASSEMBLY, MODEL 968999290	14
42" DECK ASSEMBLY	15
48" DECK ASSEMBLY	16
52" DECK ASSEMBLY	17
54" DECK ASSEMBLY	18
HYDRAULIC ASSEMBLY	19
DECAL ASSEMBLY	20
ACCESSORY 42" MULCH KIT	21
ACCESSORY 52" MULCH KIT	22
PARTS DESCRIPTIONS	23-23

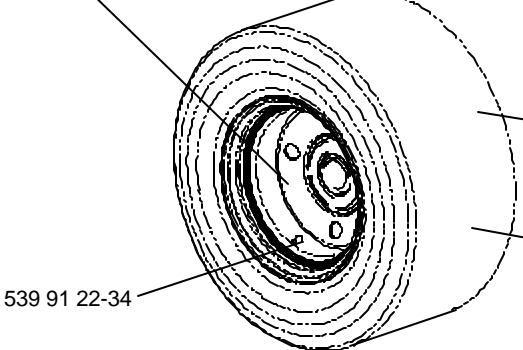
NOTE: ALL FASTENERS ARE GRADE 5 UNLESS OTHERWISE SPECIFIED.

MAIN FRAME



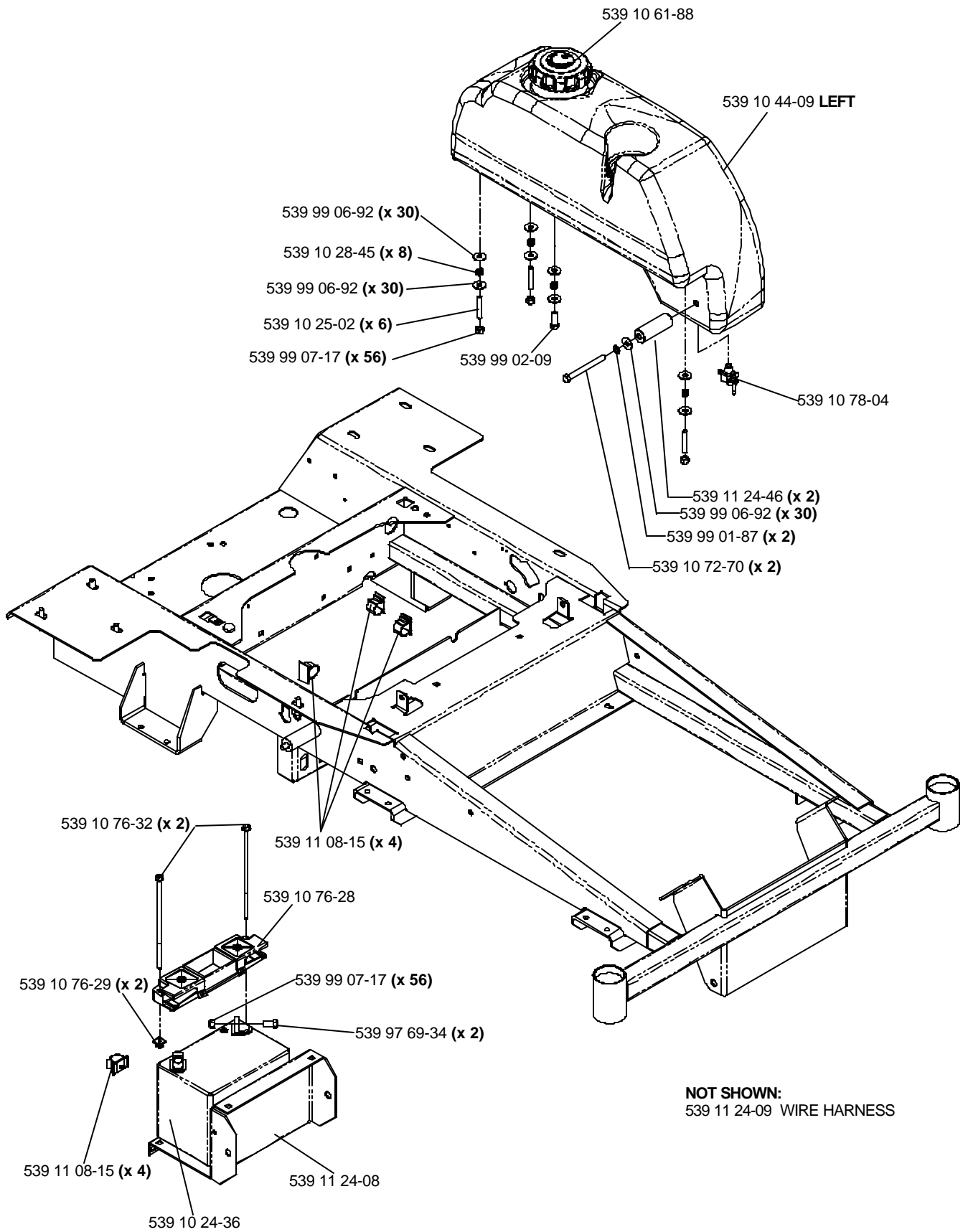
RIMS
 539 11 22-14 MODELS: 968999290, 968999291
 539 11 22-17 MODELS: 968999292, 968999293, 968999294

TIRES & RIMS
 539 11 22-12 MODELS: 968999290, 968999291, 968999294
 539 11 22-15 MODELS: 968999292, 968999293

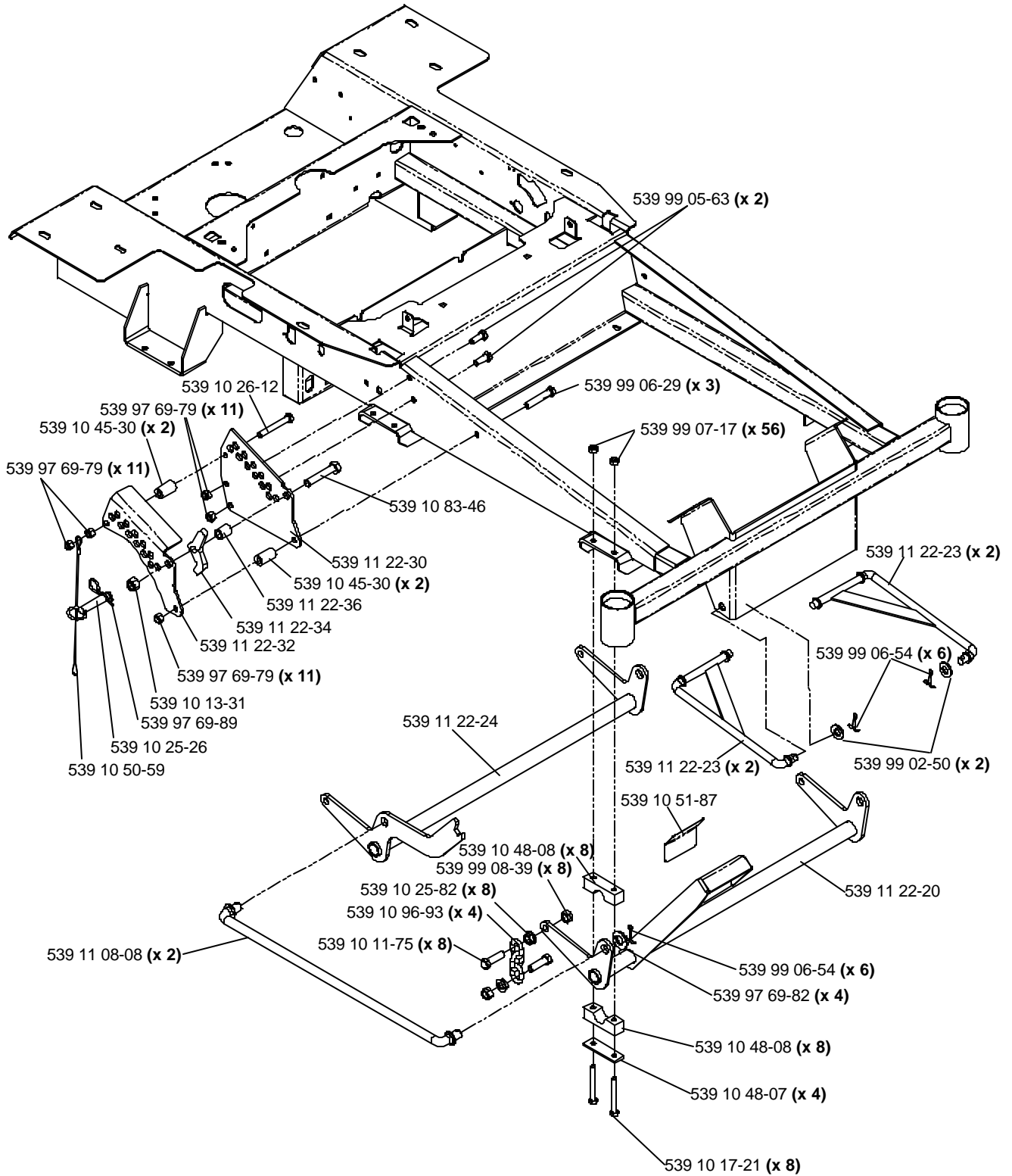


TIRES
 539 11 22-13 MODELS: 968999290, 968999291
 539 11 22-16 MODELS: 968999292, 968999293, 968999294

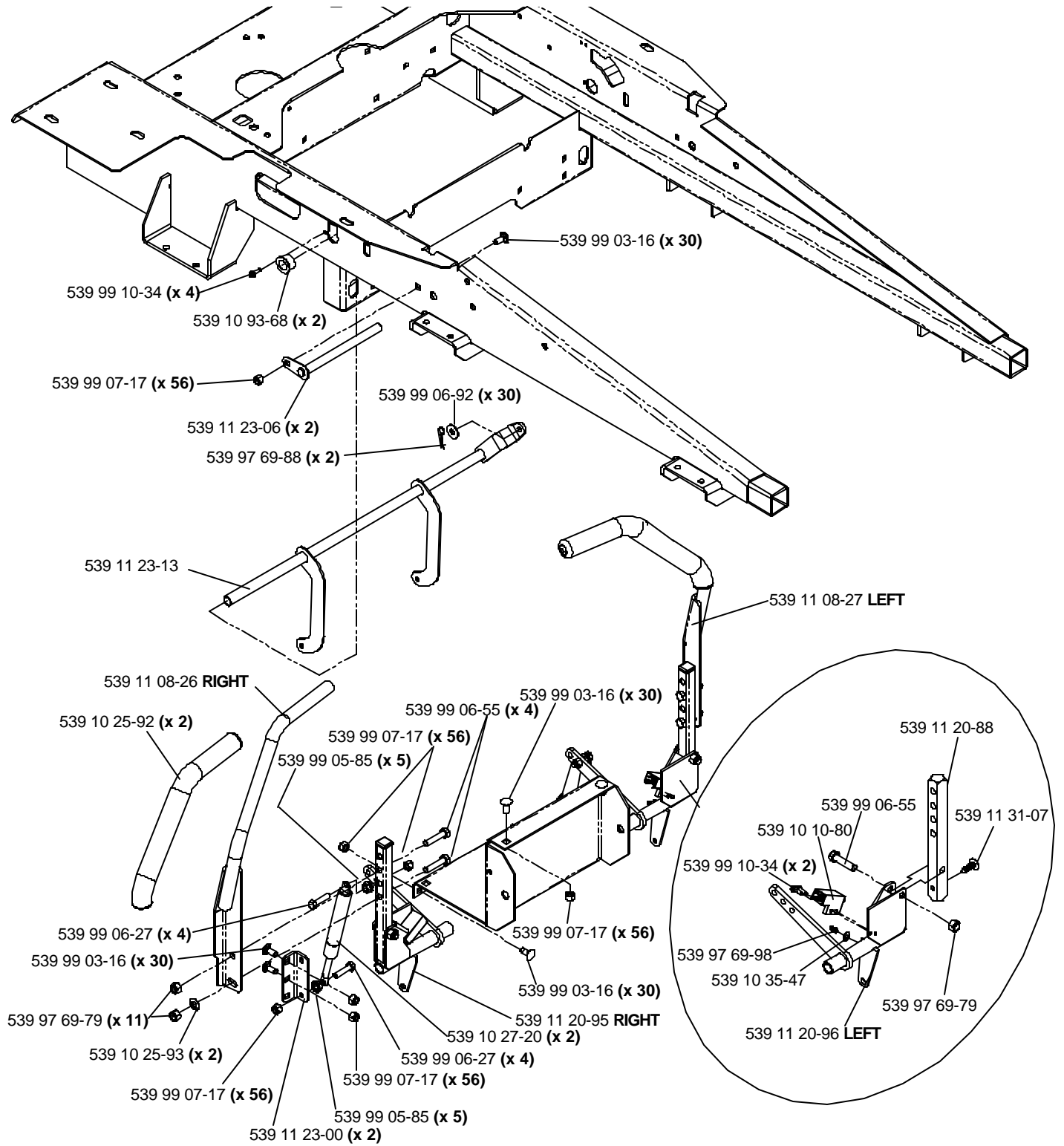
MAIN FRAME



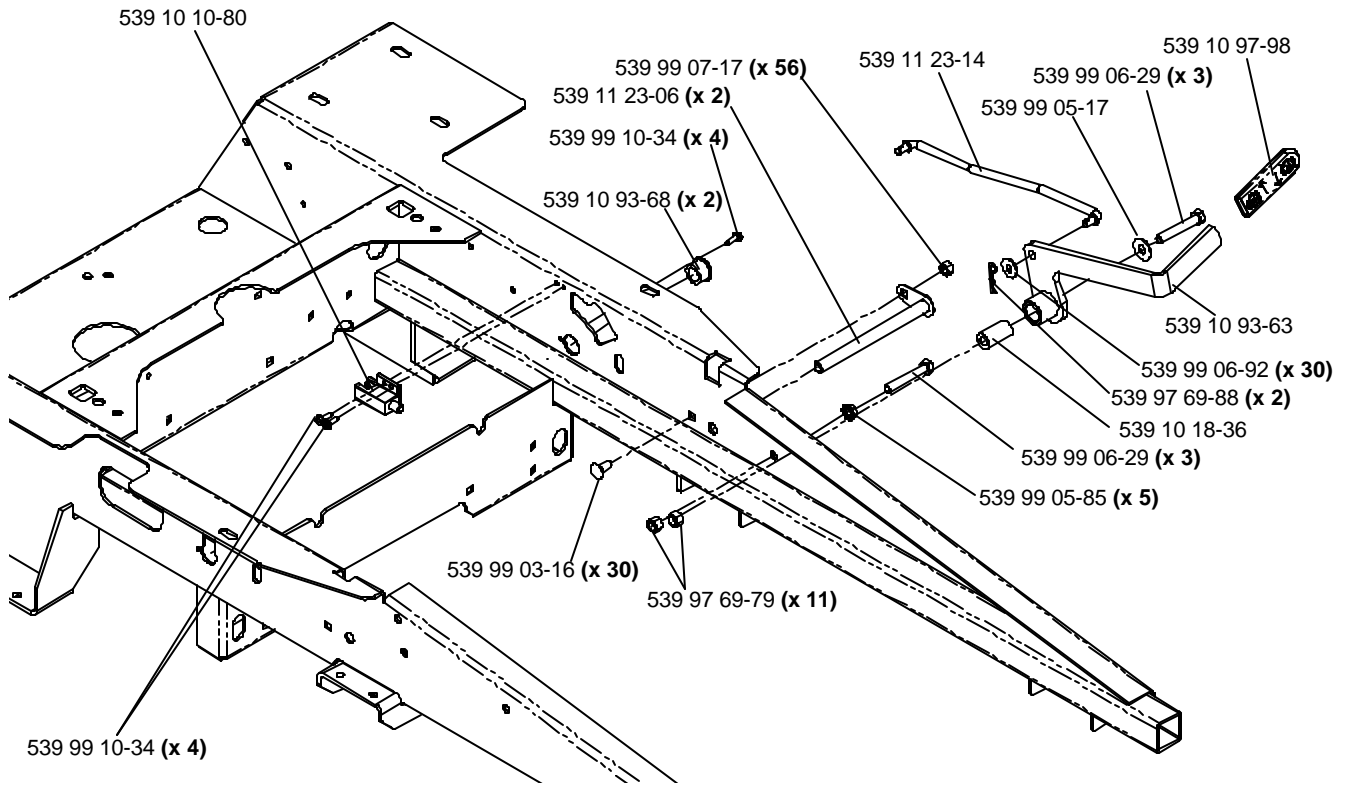
DECK LIFT



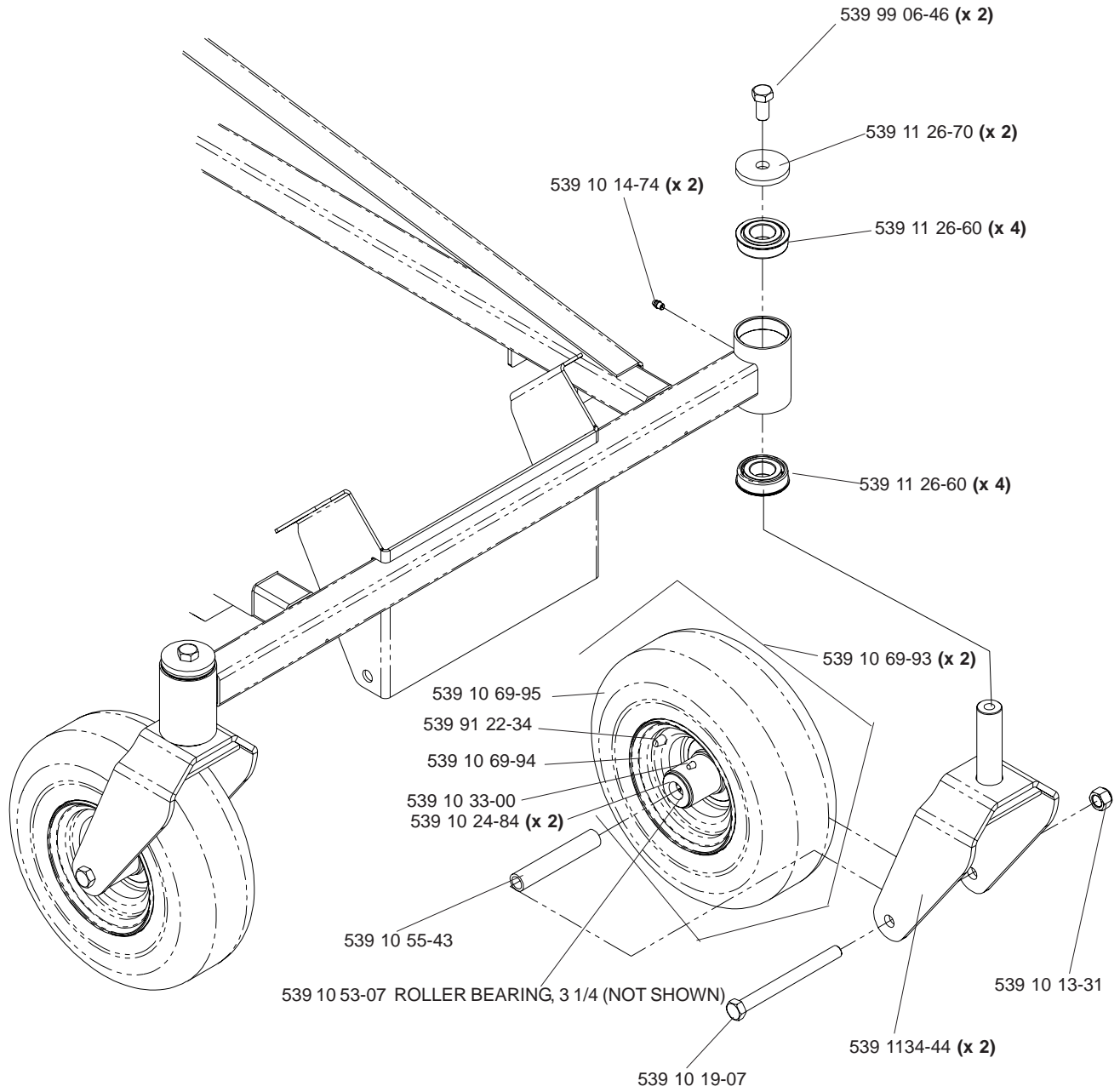
CONTROL LEVERS



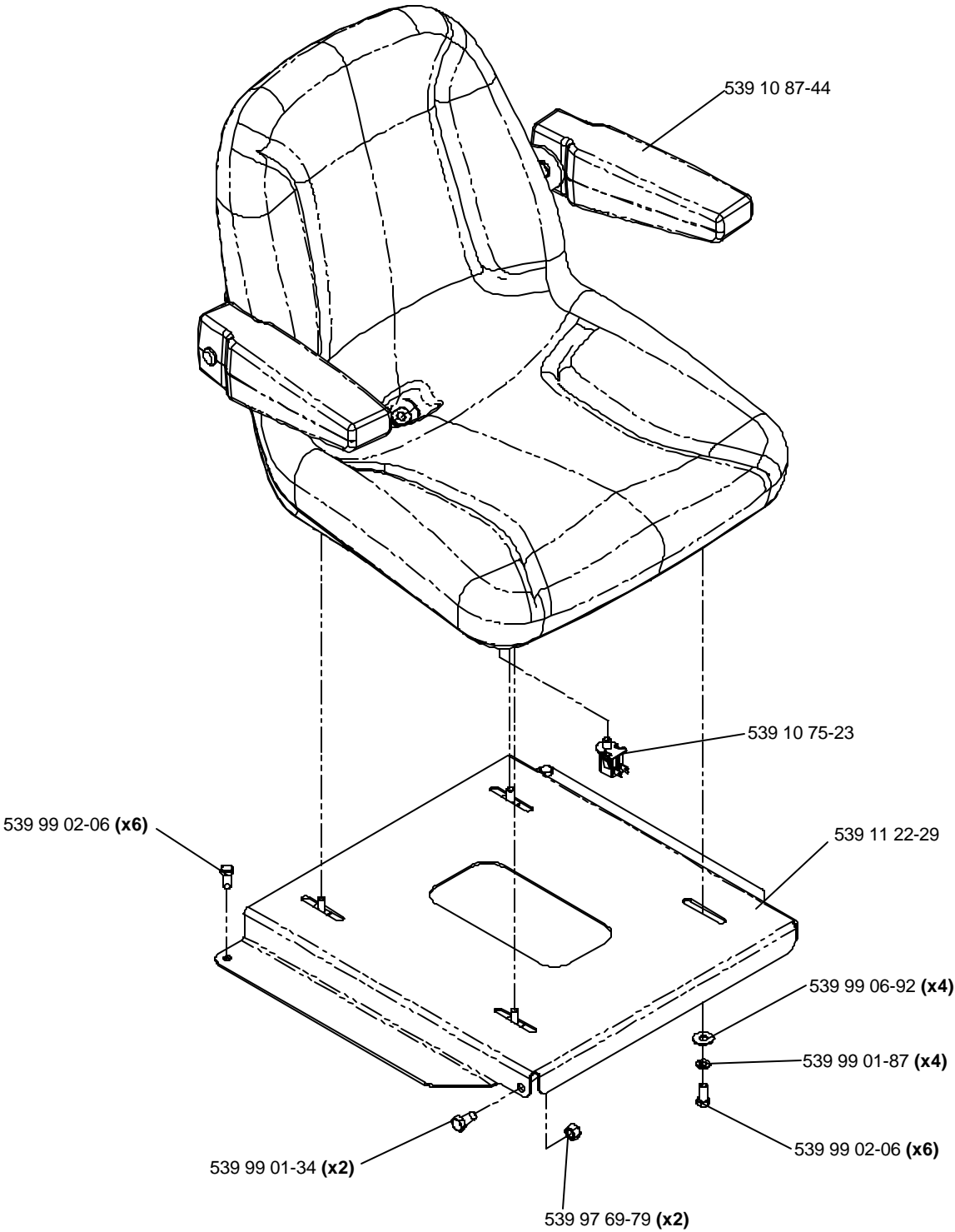
PARK BRAKE



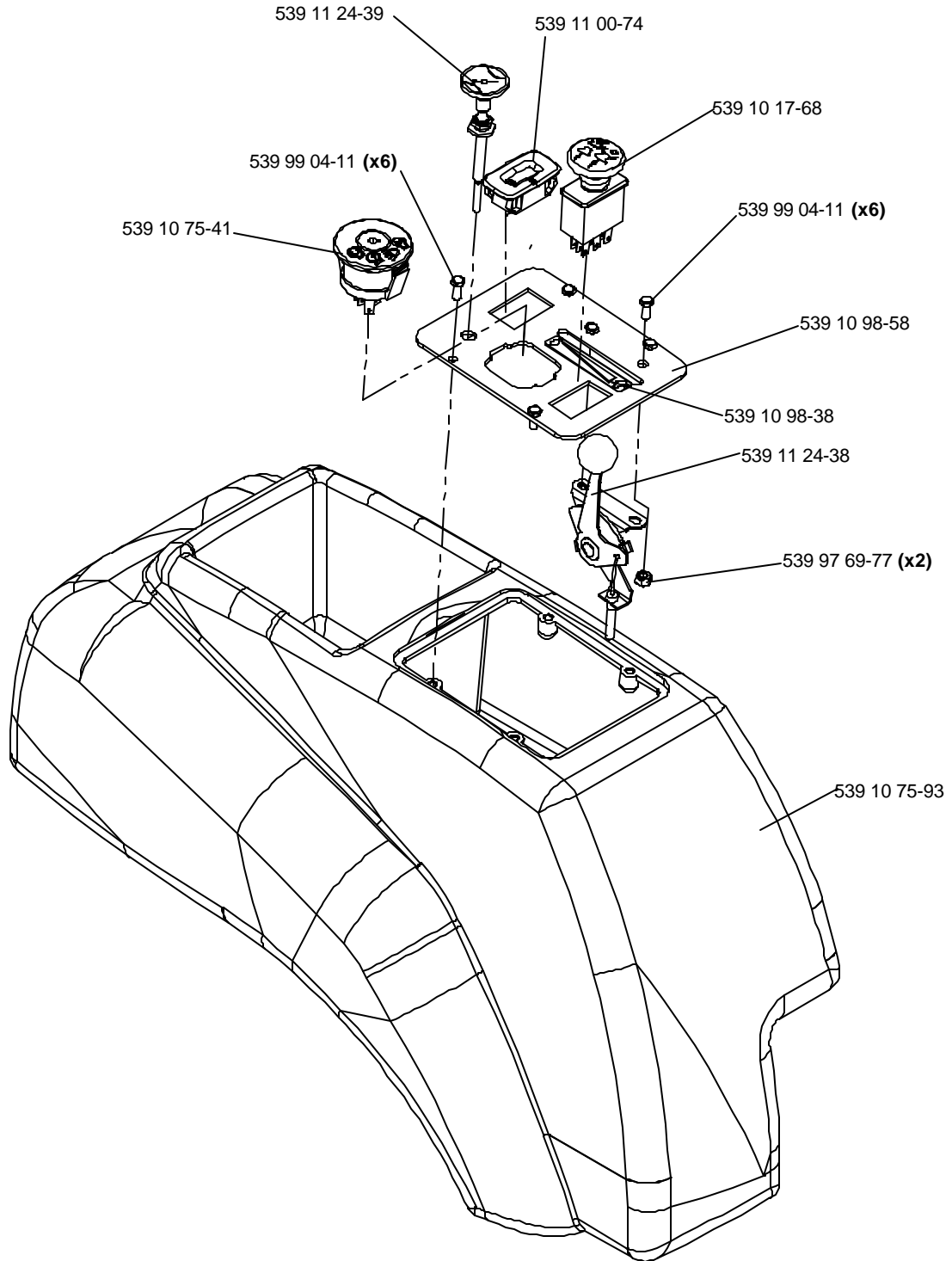
CASTER ASSEMBLY



SEAT ASSEMBLY

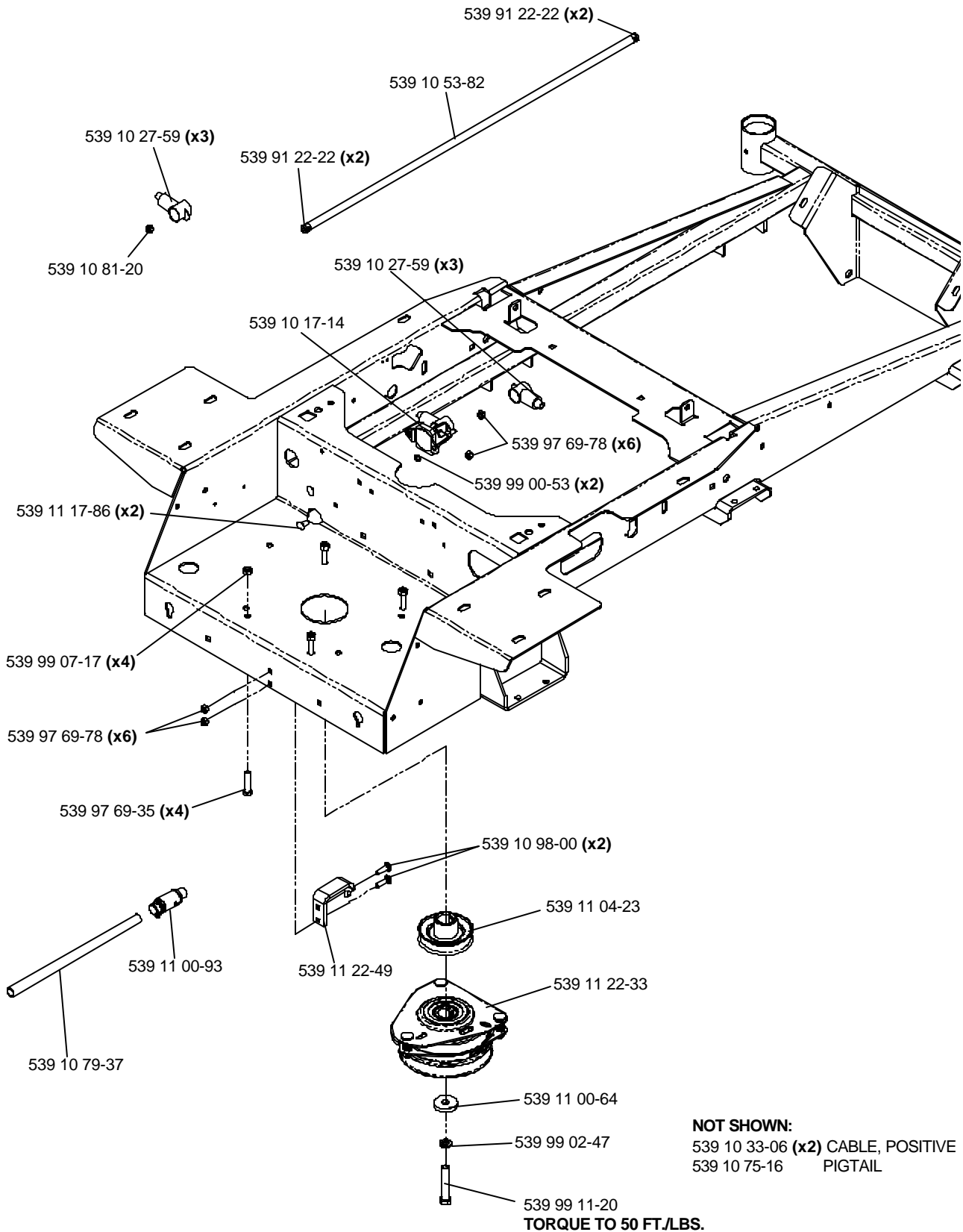


CONSOLE ASSEMBLY



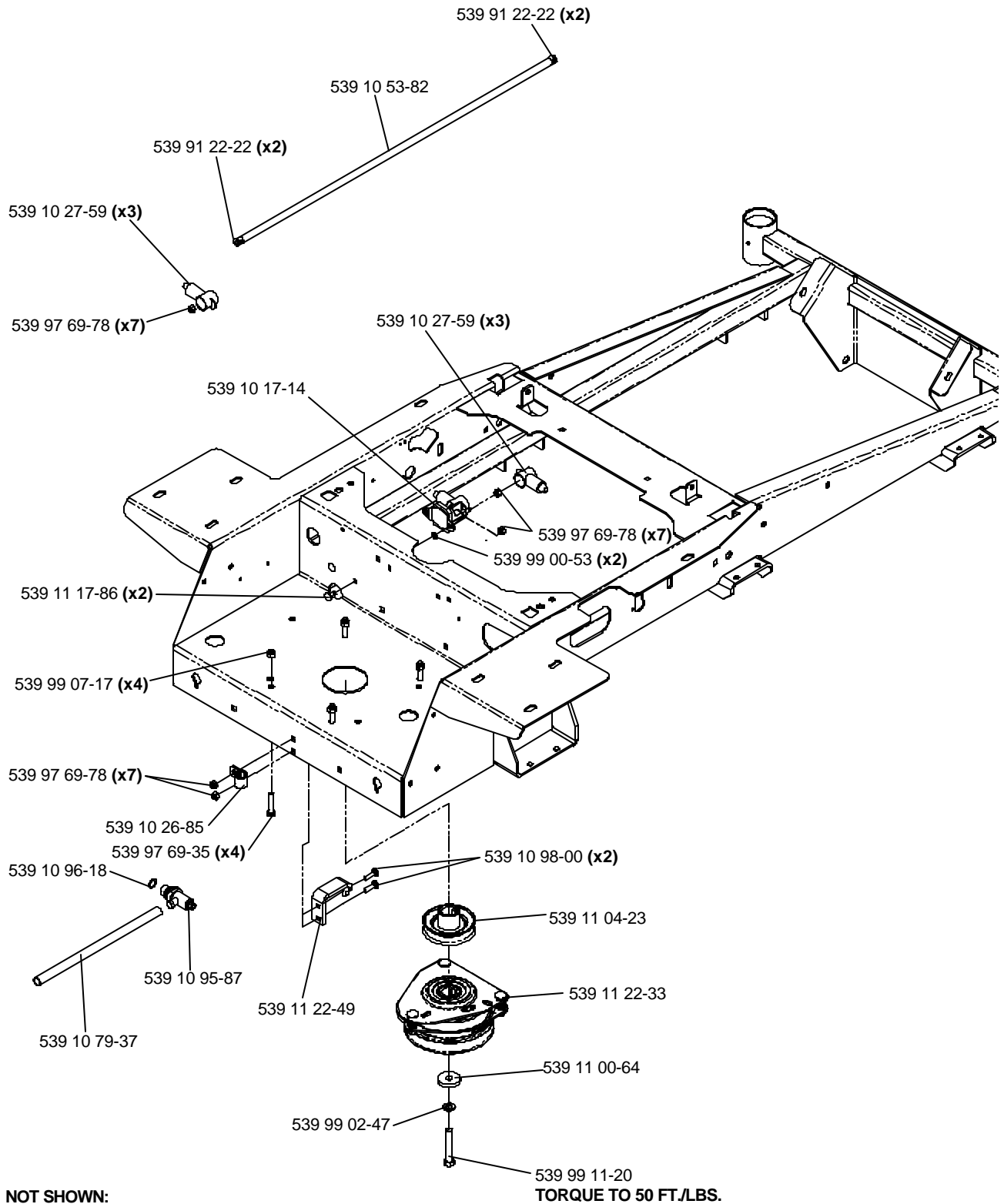
BRIGGS & STRATTON ENGINE ASSEMBLY

MODELS: 968999293, 968999294



KAWASAKI ENGINE ASSEMBLY

MODELS: 968999291, 968999292

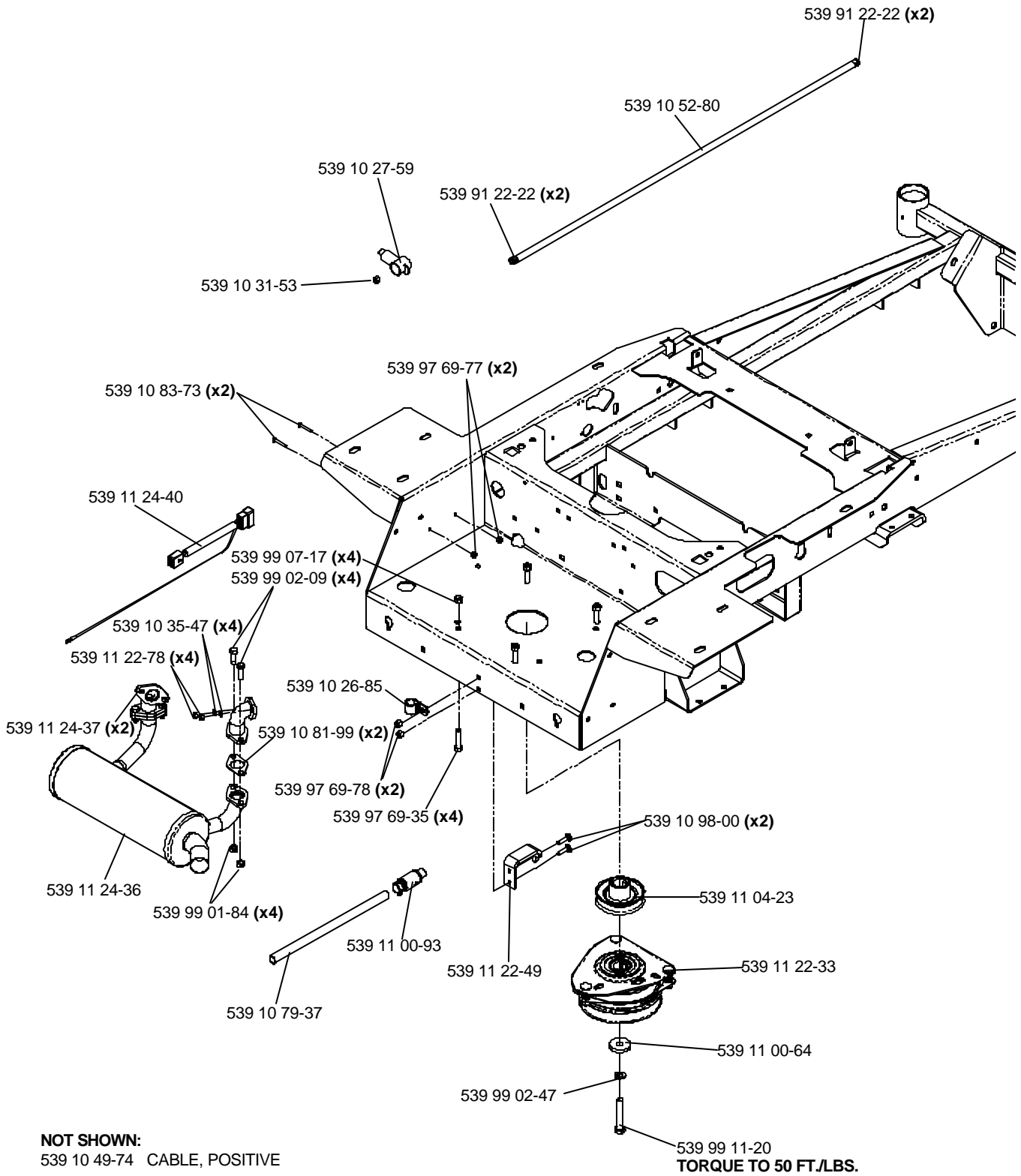


NOT SHOWN:

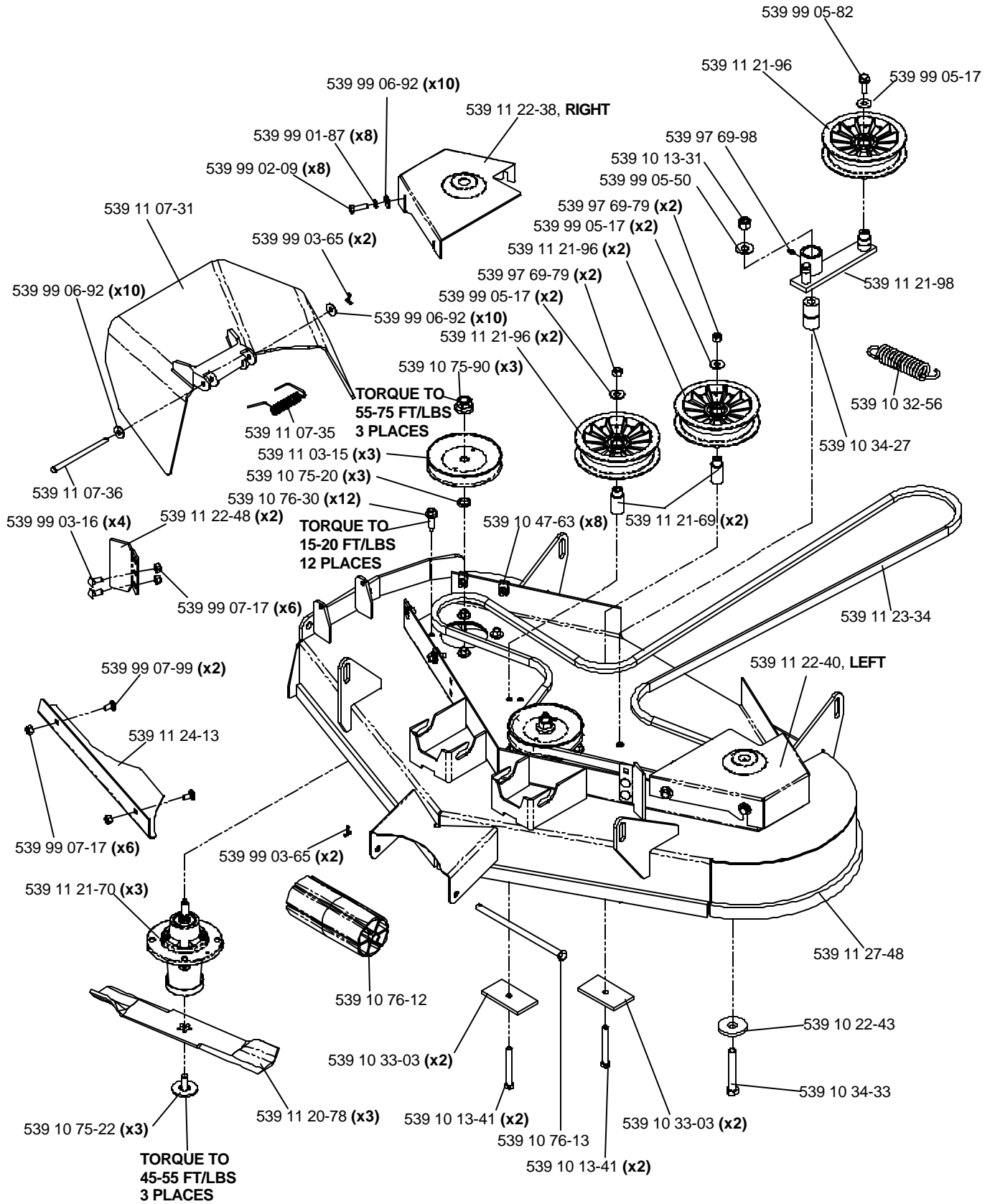
539 10 44-15 KAWASAKI PIGTAIL
539 10 33-06 (x2) CABLE, POSITIVE

HONDA ENGINE ASSEMBLY

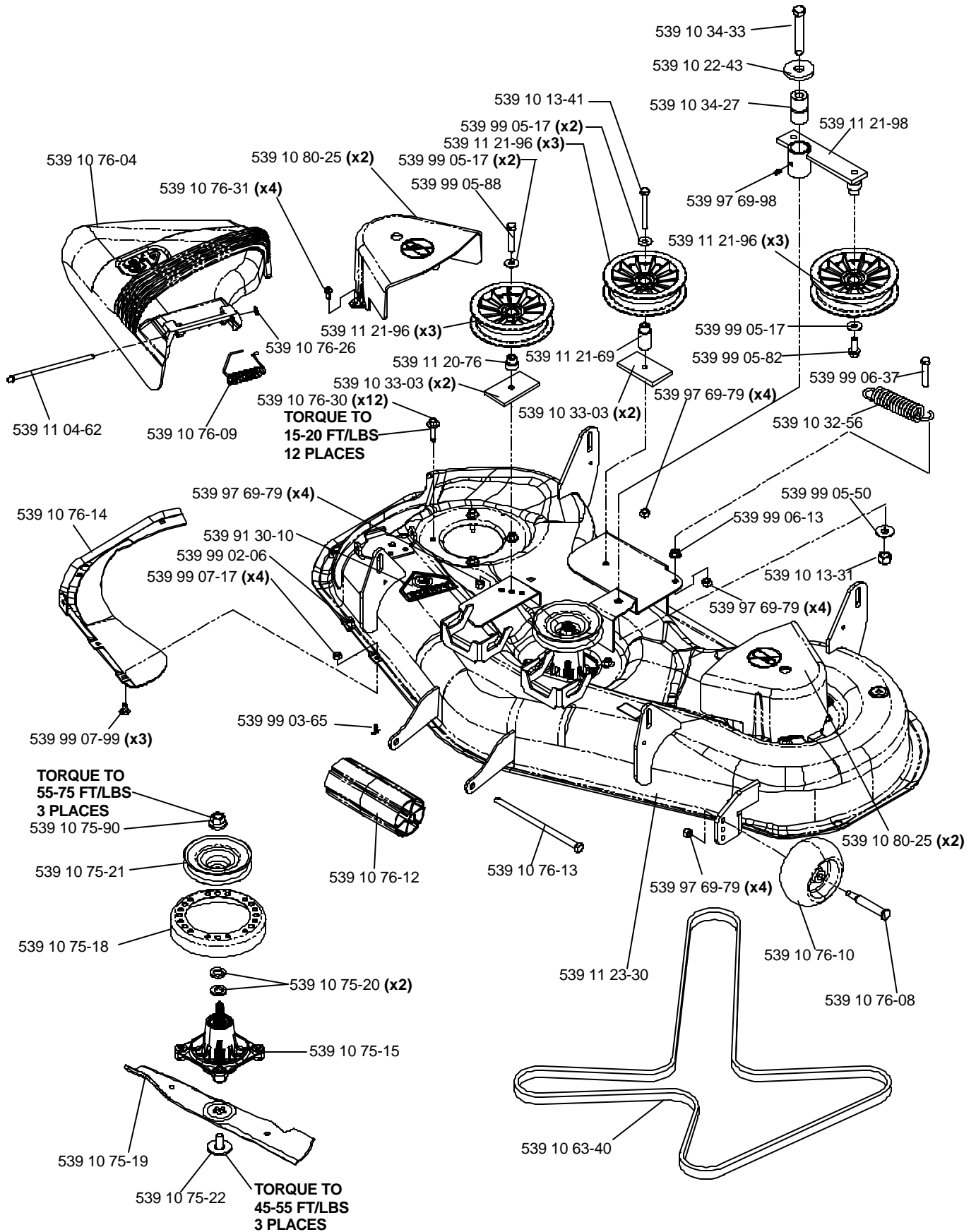
MODEL: 968999290



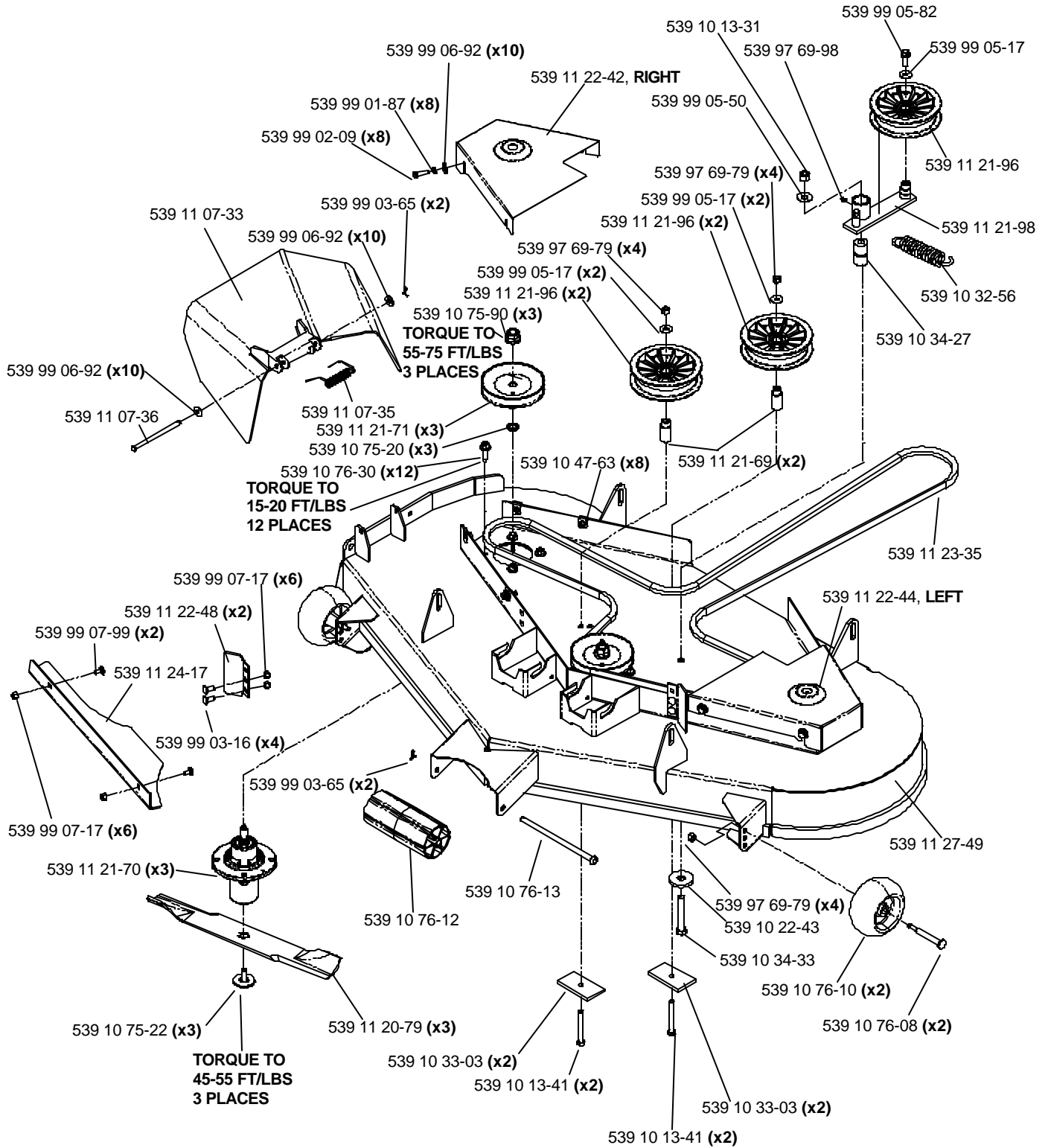
42" DECK ASSEMBLY



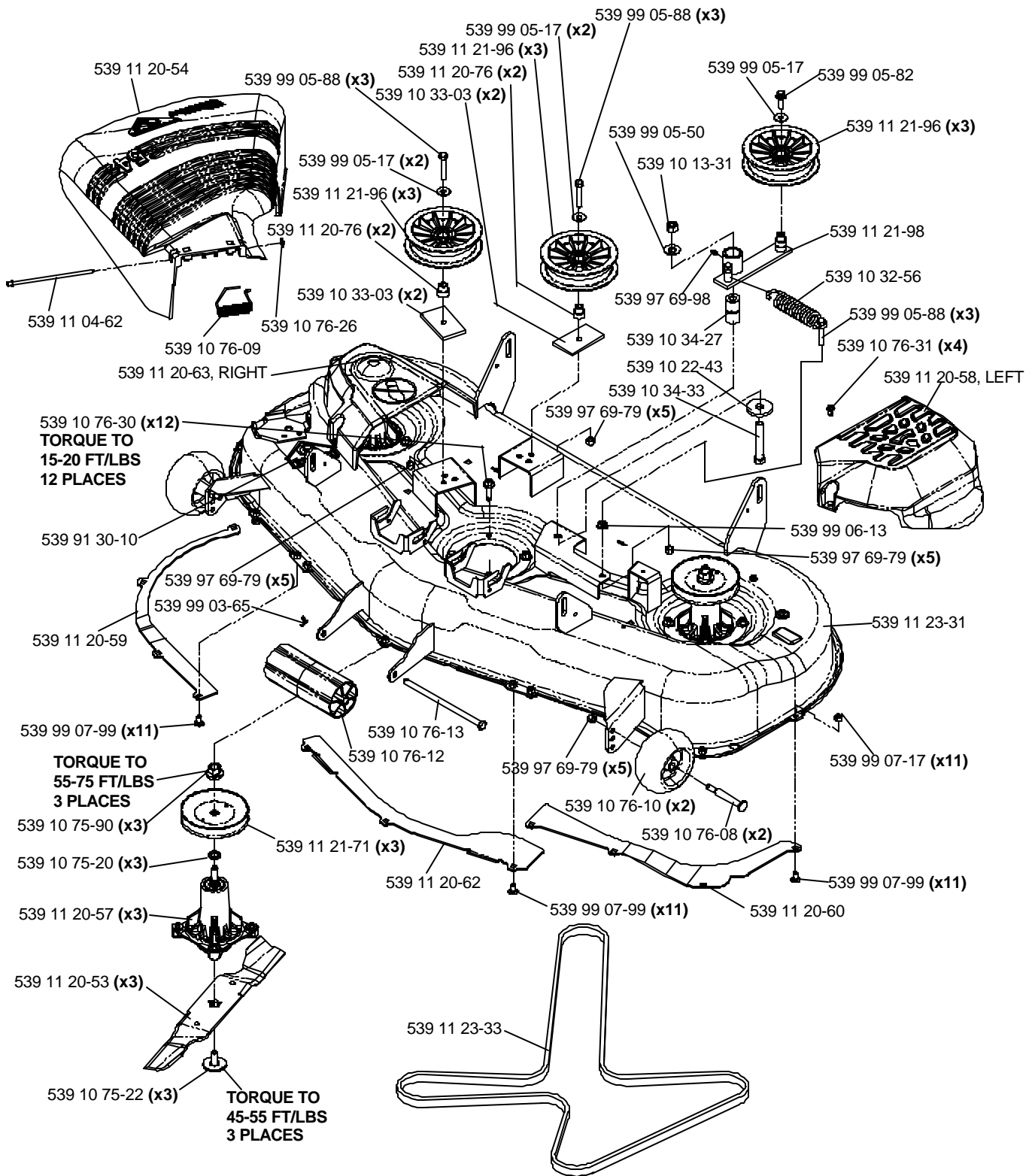
48" DECK ASSEMBLY



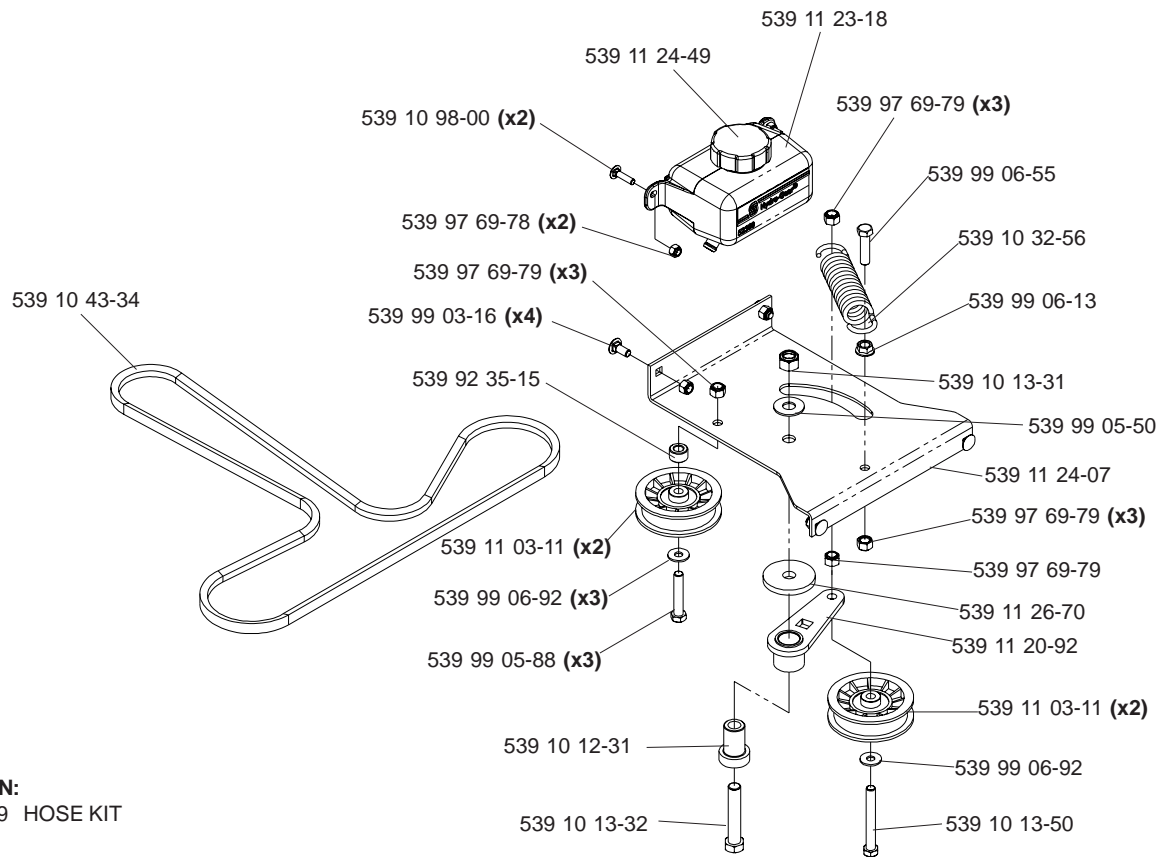
52" DECK ASSEMBLY



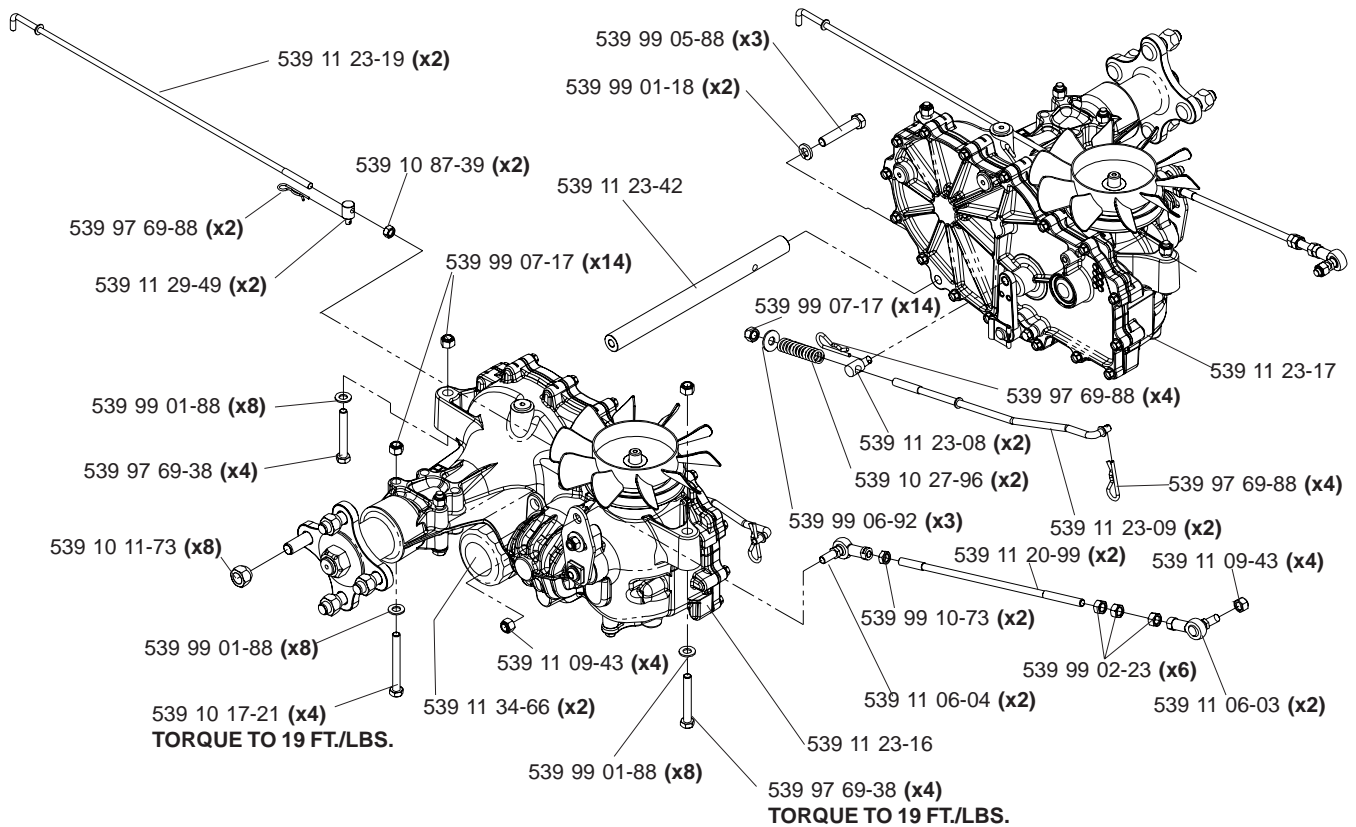
54" DECK ASSEMBLY



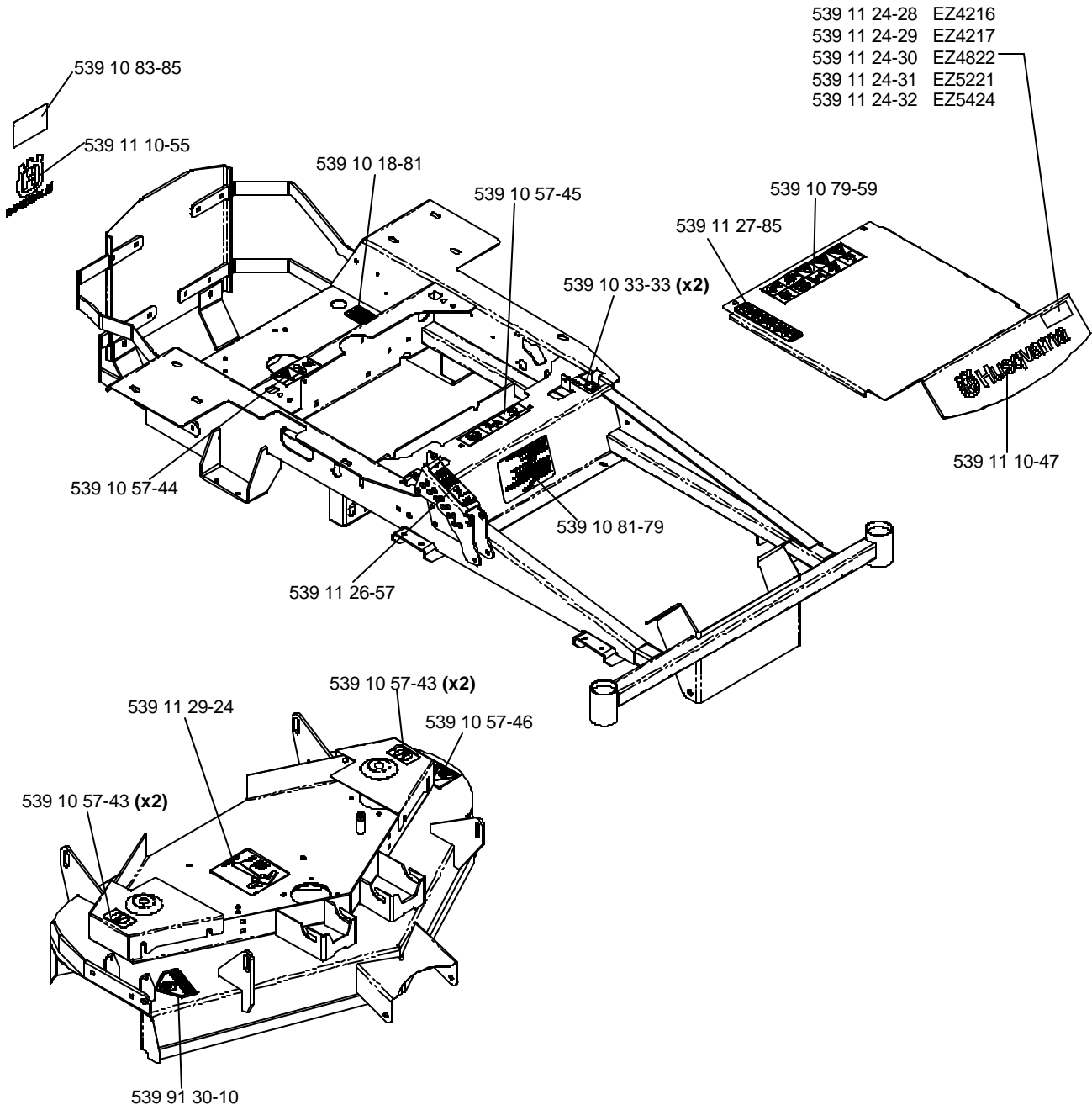
HYDRAULIC ASSEMBLY



NOT SHOWN:
539 11 26-69 HOSE KIT



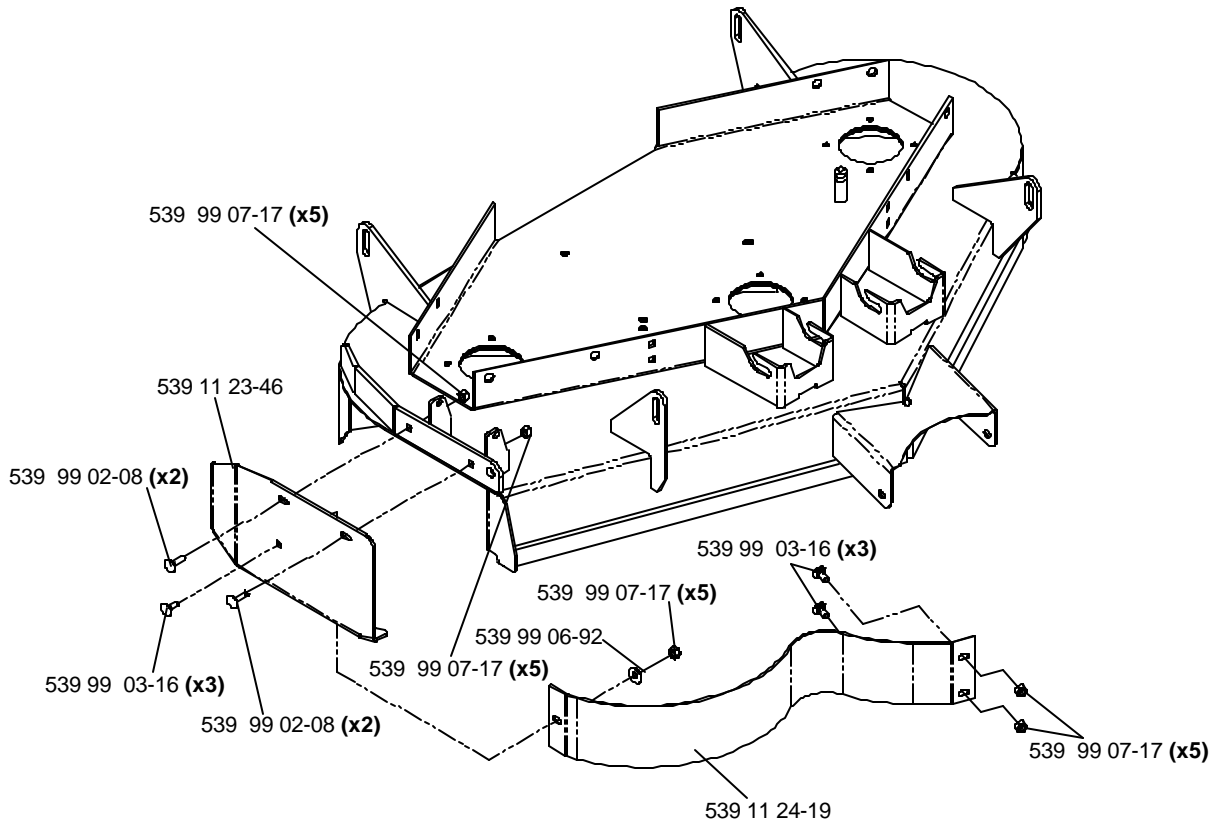
DECAL ASSEMBLY



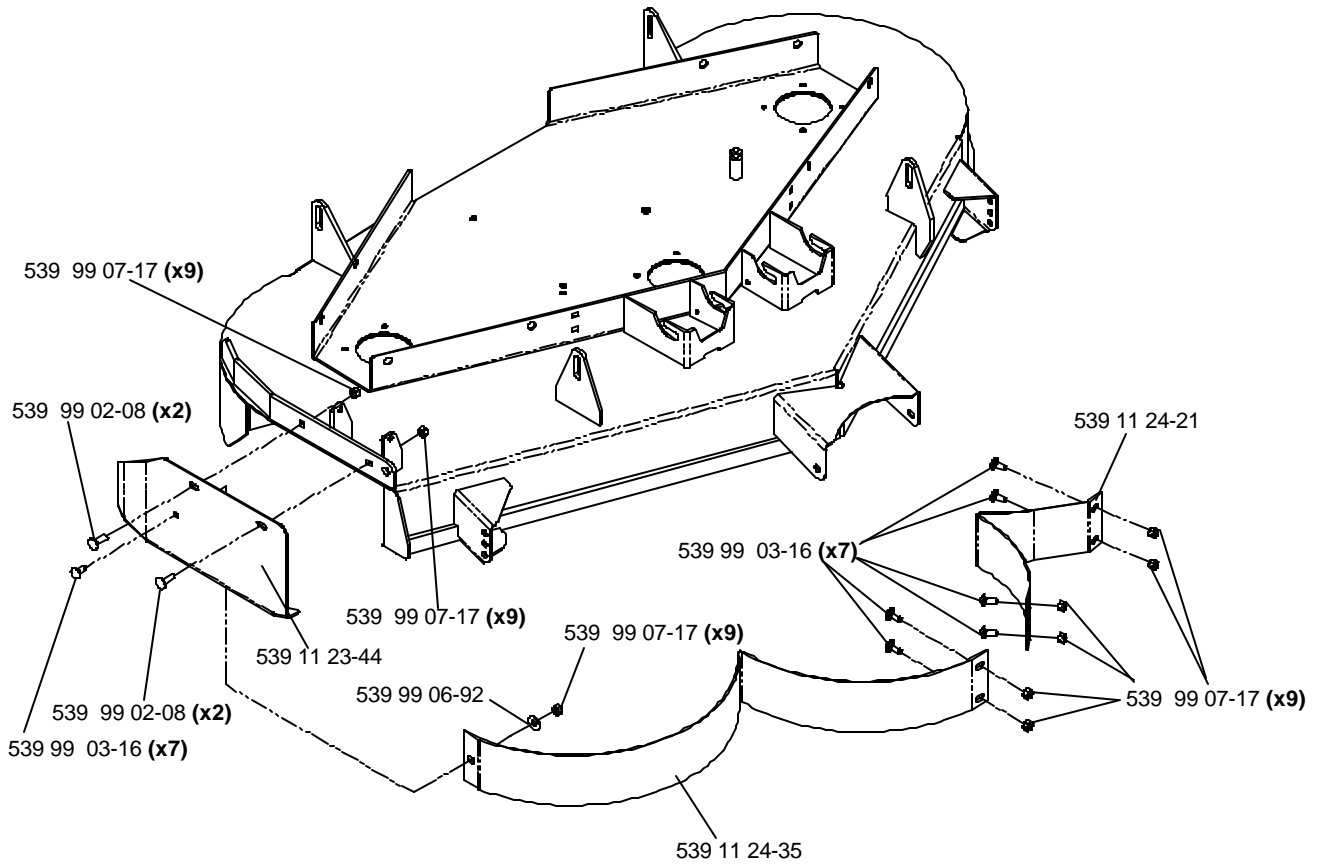
ACCESSORY

42" MULCH KIT 539 11 24-14

MODELS: 968999290, 968999291



ACCESSORY
52" MULCH KIT 539 11 24-15
MODELS: 968999292



PARTS DESCRIPTION

PART NO.	DESCRIPTION	PART NO.	DESCRIPTION
539 10 10-80	SWITCH, N.C.	539 10 53-07	ROLLER BEARING, 3 1/4
539 10 11-73	LUG NUT, 1/2	539 10 53-82	FUEL LINE
539 10 11-75	HCS, 7/16-14 X 1 1/2, GR5	539 10 55-43	SPACER
539 10 12-31	IDLER SPINDLE	539 10 57-43	DECAL, EURO NO STEP
539 10 13-31	NUT, 1/2-13, NYLOC	539 10 57-44	EURO DANGER DECAL, BELT DRIVES
539 10 13-32	HCS, 1/2-13 X 2 3/4, GR5	539 10 57-45	EURO DECAL, BATTERY WARNING
539 10 13-41	HCS, 3/8-16 X 3, GR5	539 10 57-46	EURO DECAL, SEVERING
539 10 13-50	HCS, 3/8-16 X 3, TPBLT, GR5	539 10 59-74	RUBBER GROMMET
539 10 14-74	ZERK	539 10 61-88	FUEL CAP
539 10 17-14	SOLENOID	539 10 63-40	BELT, 61"
539 10 17-21	hcs, 5/16-18 x 2 3/4, GR5	539 10 69-59	ENGINE GUARD
539 10 17-68	CLUTCH SWITCH	539 10 69-93	CASTER TIRE (COMPLETE)
539 10 18-36	SLEEVE BUSHING	539 10 69-94	RIM
539 10 18-81	DECAL, PROP 65	539 10 69-95	TIRE, 410/350-5, 4 PLY
539 10 19-07	HCS, 1/2-13 X 5 1/2, GR5	539 10 71-16	GROMMET
539 10 22-43	SUPPORT WASHER	539 10 72-70	HCS, 5/16-18 X 3 1/2, GR5
539 10 24-36	BATTERY, DRY	539 10 75-15	CUTTER HOUSING
539 10 24-84	FLANGE BEARING	539 10 75-16	KOHLER PIGTAIL
539 10 25-02	STUD, 5/16C	539 10 75-18	STRIPPER, ROUND, UNIVERSAL
539 10 25-26	LIFT PIN	539 10 75-19	BLADE, HIGH, LIFT, 48"
539 10 25-82	NUT, 7/16-14, WHIZLK	539 10 75-20	WASHER-SPACER
539 10 25-87	GROMMET, BUMPER	539 10 75-21	PULLEY, DRIVEN, MOWER, 48"
539 10 25-92	DRIVE LEVER CUSHION	539 10 75-22	BOLT, 7/16
539 10 25-93	SPRING, WASHER, 3/8	539 10 75-23	SEAT SWITCH
539 10 26-12	HCS, 3/8-16 X 2 3/4, GR5	539 10 75-41	IGNITION SWITCH
539 10 26-85	CLIP	539 10 75-90	NUT, 9/16, TOP CENTER LOCK
539 10 27-20	DAMPENER	539 10 75-93	CONSOLE
539 10 27-59	INSULATOR	539 10 76-04	DISCHARGE CHUTE
539 10 27-96	SPRING	539 10 76-08	BOLT, SHOULDER
539 10 28-45	SPRING, TANK MOUNT	539 10 76-09	SPRING, TORSION
539 10 31-53	NUT, M8-1.25, NYLOC, GR10	539 10 76-10	WHEEL, GAUGE
539 10 32-56	SPRING	539 10 76-12	ROLLER, NOSE, 48"
539 10 33-00	ZERK, 45°	539 10 76-13	ROD, ROLLER, NOSE, NARROW
539 10 33-03	PAD	539 10 76-14	BAFFLE, VORTEX, MOWER
539 10 33-06	CABLE, POSITIVE	539 10 76-15	BATTERY CABLE, NEG
539 10 33-33	DECAL, MOTION CONTROL	539 10 76-26	PUSHNUT
539 10 34-27	PIVOT BUSHING	539 10 76-28	BATTERY HOLD DOWN
539 10 34-33	HCS, 1/2-13 X 3 1/4, GR5	539 10 76-29	PUSH NUT, NYLON
539 10 35-47	WASHER, 1/4	539 10 76-30	SCREW, WASHER HEAD
539 10 43-34	PUMP BELT	539 10 76-31	SCREW, 1/4-20 X 5/8, THDROLL
539 10 44-09	FUEL TANK, LEFT	539 10 76-32	BOLT, 1/4 X 7 1/2
539 10 44-15	KAWASAKI PIGTAIL	539 10 78-04	FUEL VALVE
539 10 45-30	SPACER	539 10 79-37	OIL DRAIN HOSE
539 10 47-63	RETAINER, 5/16C, "U" TYPE	539 10 79-59	DECAL, WARNING
539 10 48-07	REINFORCEMENT BAR	539 10 80-25	BELT SHIELD
539 10 48-08	PILLOW BLOCK	539 10 80-96	SPRING RETAINER
539 10 49-74	CABLE, POSITIVE	539 10 81-20	NUT, 1/4-20, THIN NYLOC
539 10 50-59	LANYARD	539 10 81-79	DECAL, START
539 10 51-87	ANTI-SKID PAD	539 10 81-99	EXHAUST GASKET
539 10 52-80	FUEL LINE, 35"	539 10 83-46	HCS, 1/2-13 X 2 1/2, GR5
		539 10 83-85	DECAL, DO NOT TOW

PARTS DESCRIPTION

PART NO.	DESCRIPTION	PART NO.	DESCRIPTION
539 10 83-73	HCS, #10-24 X 1, GR2	539 11 21-96	IDLER
539 10 87-39	NUT, 1/8-28	539 11 21-98	IDLER ARM
539 10 87-44	SEAT W/ARMREST	539 11 22-12	TIRE & RIM, MODELS: 968999290 968999291, 968999294
539 10 93-63	BRAKE LEVER	539 11 22-13	TIRE, 18 X 8.5, TURF RIDER, MODELS: 968999290, 968999291
539 10 93-68	PLASTIC BUSHING	539 11 22-14	RIM, 8X7, MODELS: 968999290, 968999291
539 10 95-87	OIL DRAIN EXTENSION	539 11 22-15	TIRE & RIM, MODELS: 968999292 968999293
539 10 96-18	O-RING	539 11 22-16	TIRE, 18 X 9.5, TURF RIDER, MODELS: 968999292, 968999293, 968999294
539 10 96-93	LIFT CHAIN, 3 LINK	539 11 22-17	RIM, 8 X 7, W 8" OFFSET, MODELS: 968999292, 968999293, 968999294
539 10 97-98	GRIP, PARK BRAKE	539 11 22-20	FRONT LIFT SHAFT
539 10 98-00	RHSNB, 1/4-20 X 1, GR5	539 11 22-23	STRUT LINKAGE
539 10 98-38	DECAL, THROTTLE	539 11 22-24	LIFT SHAFT, REAR
539 10 98-58	CONSOLE PLATE	539 11 22-28	FLOOR PAN
539 11 00-64	CLUTCH WASHER	539 11 22-29	SEAT MOUNT
539 11 00-74	HOUR METER	539 11 22-30	HGT, ADJUST PLATE
539 11 00-93	PLUG	539 11 22-32	HGT ADJUST PLATE, OUTER
539 11 03-15	PULLEY, MANDREL	539 11 22-33	CLUTCH
539 11 03-11	IDLER PULLEY, HYDRO'S	539 11 22-34	PAWL, STOP
539 11 04-23	ENGINE PULLEY,38	539 11 22-36	SPACER
539 11 04-62	ROD, HINGE	539 11 22-38	BELT SHIELD, RIGHT
539 11 06-03	SPHERICAL ROD END, RIGHT	539 11 22-40	BELT SHIELD, LEFT
539 11 06-04	SPHERICAL ROD END, LEFT	539 11 22-42	BELT SHIELD, RIGHT
539 11 07-31	DISCHARGE CHUTE, 42"	539 11 22-44	BELT SHIELD, LEFT
539 11 07-33	DISCHARGE CHUTE, 52"	539 11 22-48	DECK STOP
539 11 07-35	SPRING, TORSION	539 11 22-49	CLUTCH TIE DOWN
539 11 07-36	PIN, CLEVIS, 5/16 X 5 3/16	539 11 22-78	NUT, M6-1.0, NYLOC
539 11 08-08	DECK LIFT LINK	539 11 23-00	DAMPENER BRACKET
539 11 08-15	PUSH-MOUNT WIRE CLIP	539 11 23-01	CONTROL ASSEMBLY, RIGHT
539 11 08-26	RIGHT DRIVE LEVER	539 11 23-02	CONTROL ASSEMBLY, LEFT
539 11 08-27	LEFT DRIVE LEVER	539 11 23-06	PIVOT SHAFT
539 11 09-43	NUT, 5/16-24, NYLOC	539 11 23-08	BRAKE SWIVEL
539 11 10-47	DECAL, HUSQVARNA, 12"	539 11 23-09	BRAKE LINKAGE, LOWER
539 11 10-55	DECAL, CROWN	539 11 23-13	BRAKE SHAFT
539 11 17-86	RHSSNB, 1/4-20 X 5/8, GR5	539 11 23-14	BRAKE LINKAGE
539 11 20-53	BLADE	539 11 23-16	ZT2800 RIGHT SIDE
539 11 20-54	DEFLECTOR, 54"	539 11 23-17	ZT2800 LEFT SIDE
539 11 20-57	MANDREL, GREASABLE	539 11 23-18	EXPANSION TANK W/CAP
539 11 20-58	COVER, MANDREL, LEFT, 54	539 11 23-19	BYPASS LINKAGE
539 11 20-59	BAFFLE, RIGHT, 54	539 11 23-30	DECK W/DECALS, 48"
539 11 20-60	BAFFLE, LEFT, 54	539 11 23-31	DECK W/DECALS, 54"
539 11 20-62	BAFFLE, CENTER, 54	539 11 23-33	BELT
539 11 20-63	COVER, MANDREL, RIGHT, 54	539 11 23-34	DECK BELT, 42"
539 11 20-76	IDLER BUSHING	539 11 23-35	DECK BELT, 52"
539 11 20-78	BLADE, 14 5/8"	539 11 23-42	2800 CROSS SUPPORT
539 11 20-79	BLADE, 18"	539 11 23-44	52" MULCH CAP
539 11 20-88	CONTROL ARM		
539 11 20-92	IDLER ARM		
539 11 20-95	CONTROL WELDMENT, RIGHT		
539 11 20-96	CONTROL WELDMENT, LEFT		
539 11 20-99	DRIVE LINKAGE		
539 11 21-69	IDLER BUSHING		
539 11 21-70	HOUSING ASSEMBLY		
539 11 21-71	PULLEY		

PARTS DESCRIPTION

PART NO.	DESCRIPTION	PART NO.	DESCRIPTION
539 11 23-46	42" MULCH CAP	539 97 69-79	NUT, 3/8-16, NYLOC
539 11 24-07	IDLER PULLEY PLATE	539 97 69-82	WASHER, 5/8, SAE
539 11 24-08	BATTERY TRAY	539 97 69-88	HAIRPIN COTTER
539 11 24-09	WIRING HARNESS	539 97 69-89	HAIRPIN, #4
539 11 24-13	CONFINEMENT PLATE, 42"	539 97 69-98	ZERK
539 11 24-14	42" MULCH KIT, ACCESSORY	539 97 77-78	ABRASIVE PAD
539 11 24-15	52" MULCH KIT, ACCESSLRV	539 99 00-53	WASHER, 1/4, TOOTH
539 11 24-17	CONFINEMENT PLATE, 52"	539 99 01-18	LOCKWASHER, 3/8
539 11 24-19	42" MULCH BAFFLE	539 99 01-34	HCS, 3/8-16 X 3/4, GR5
539 11 24-21	52" MULCH BAFFLE, LEFT	539 99 01-84	NUT, 5/16-18, CTR LK
539 11 24-28	DECAL, EZ4216	539 99 01-87	LOCK WASHER, 5/16
539 11 24-29	DECAL, EZ4217	539 99 01-88	WASHER, 5/16, SAE
539 11 24-30	DECAL, EZ4822	539 99 02-06	HCS, 5/16-18 X 3/4, GR5
539 11 24-31	DECAL, EZ5221	539 99 02-08	RHSNB, 5/16-18 X 1, GR5
539 11 24-32	DECAL, EZ5424	539 99 02-09	HCS, 5/16-18 X 1, GR5
539 11 24-35	52" MULCH BAFFLE, RIGHT	539 99 02-23	NUT, 5/16-24
539 11 24-36	MUFFLER, HONDA	539 99 02-47	LOCKWASHER, 7/16
539 11 24-37	HEADER, HONDA	539 99 02-50	WASHER, 1/2, SAE
539 11 24-38	THROTTLE CABLE	539 99 03-16	RHSNB, 5/16-18 X 3/4, GR5
539 11 24-39	CHOKE CONTROL	539 99 03-65	PIN, COTTER, 1/8 X 3/4
539 11 24-40	HONDA PIGTAIL	539 99 04-11	HCS, #10-24 X 1/2
539 11 24-46	TANK SPACER	539 99 05-17	WASHER, 3/8
539 11 24-49	CAP	539 99 05-50	WASHER, 1/2
539 11 26-57	DECAL, TRANSPORT RELEASE	539 99 05-63	HCS, 3/8-16 X 1, GR5
539 11 26-60	BEARING, FLANGED	539 99 05-82	HCS, 3/8-16 X 1, GR5
539 11 26-69	HOSE KIT	539 99 05-85	NUT, 5/16-18, WHIZLK
539 11 26-70	HEAVY WASHER	539 99 05-88	HCS, 3/8-16 X 2, GR5
539 11 27-48	DECK, 42" W/DECALS	539 99 06-13	NUT, 3/8-16, WHIZLK
539 11 27-49	DECK, 52" W/DECALS	539 99 06-27	HCS, 5/16-18 X 1 1/4, GR5
539 11 27-80	REAR GUARD STRAP, LOWER	539 99 06-29	HCS, 3/8-16 X 2 1/4, GR5
539 11 27-81	REAR GUARD STRAP, UPPER, RIGHT	539 99 06-37	HCS, 3/8-16 X 2 1/2, GR5
539 11 27-82	REAR GUARD STRAP, UPPER, LEFT	539 99 06-46	HCS, 1/2-13 X 1, GR5
539 11 27-83	SKID PLATE	539 99 06-54	COTTER PIN, 5/32 X 1 1/4
539 11 27-85	DECAL, HEIGHT ADJUST	539 99 06-55	HCS, 3/8-16 X 1 1/2, GR5
539 11 27-98	MAIN FRAME	539 99 06-92	WASHER, 5/16
539 11 29-24	DECAL, BELT ROUTING	539 99 07-17	NUT, 5/16-18, NYLOC
539 11 29-49	SWIVEL, 1/4-28	539 99 07-99	RHSNB, 5/16-18 X 5/8, GR5
539 11 31-07	RIVET, NYLON PUSH-IN	539 99 08-39	NUT, 7/16-14, CTR
539 11 34-44	CASTER YOKE	539 99 10-34	SCREW, 10-24 X 5/8, WASHER HEAD
539 11 34-66	FILTER, ZT2800	539 99 10-73	NUT, 5/16-24, LH
539 91 22-22	HOSE CLAMP	539 99 11-20	HCS, 7/16-20 X 2 1/2, GR5
539 91 22-34	VALVE STEM		
539 91 30-10	DECAL, CPSC		
539 92 35-15	SPACER		
539 97 69-34	HCS, 5/16-18 X 3/4, GR5		
539 97 69-35	HCS, 5/16-18 X 1 1/2, GR5		
539 97 69-38	HCS, 5/16-18 X 2 1/4, GR5		
539 97 69-77	NUT, #10-24, NYLOC		
539 97 69-78	NUT, 1/4-20, NYLOC		

